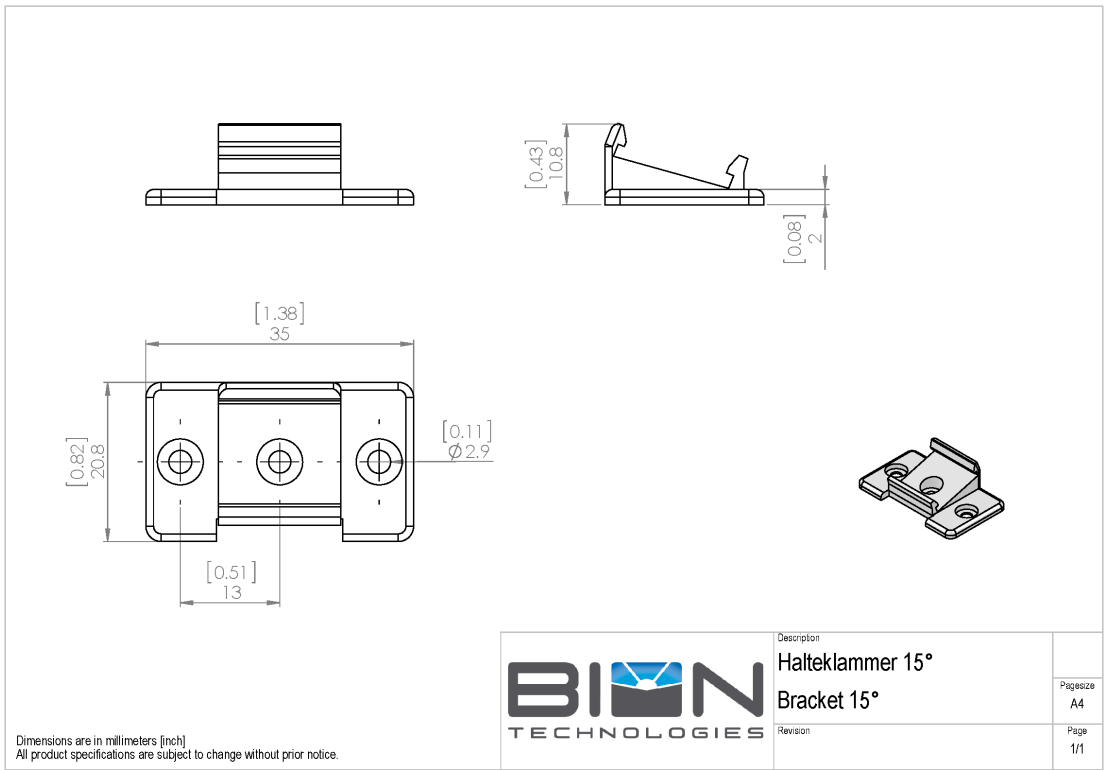


**tantulus 3 Halteklammer  
15°**

TECHNISCHES DATENBLATT

# Technische Zeichnung



Dimensions are in millimeters [inch]  
All product specifications are subject to change without prior notice.



Description	Halteklammer 15°	Page size
	Bracket 15°	A4
Revision		Page
		1/1



Lindberghstrasse 15  
86343 Koenigsbrunn  
Tel: +49 (0)8231/95787-0  
Fax: +49 (0)8231/95787-29  
[www.biontechnologies.com](http://www.biontechnologies.com)  
[info@biontechnologies.com](mailto:info@biontechnologies.com)

YouTube: <http://www.youtube.com/BIONTECHNOLOGIES>

© 2013, BION TECHNOLOGIS is a brand of ONELED.DE GMBH  
All rights reserved / Subject to change / Specifications may change without notice