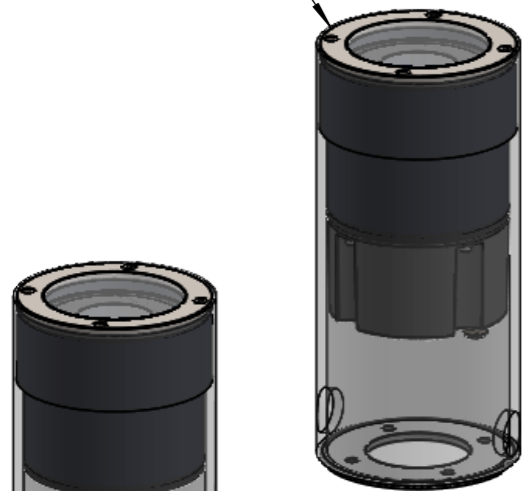
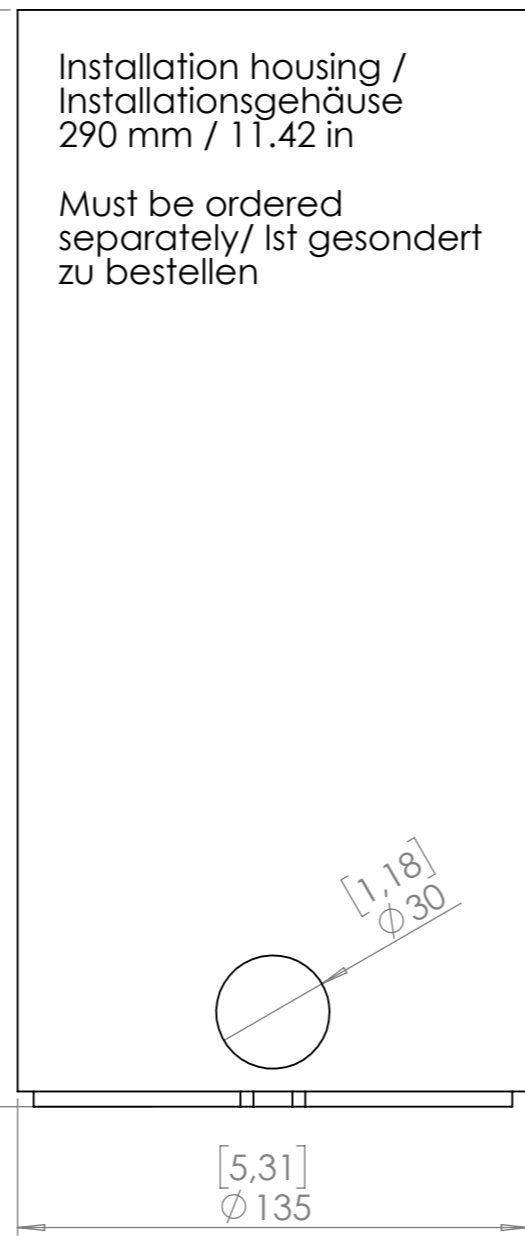
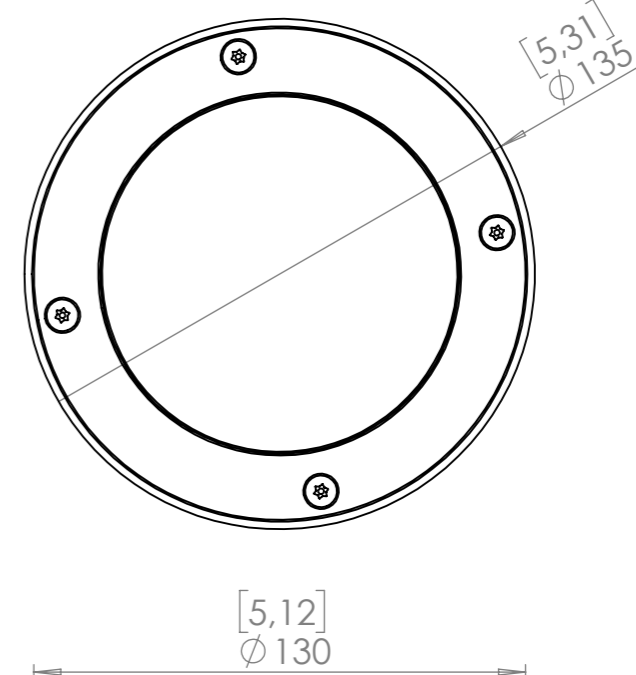
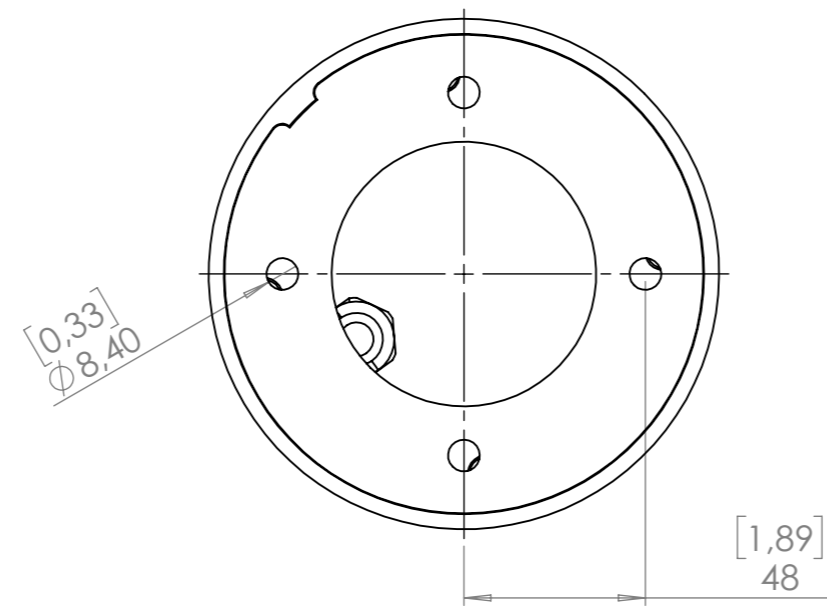


Maßstab / Scale 1:5

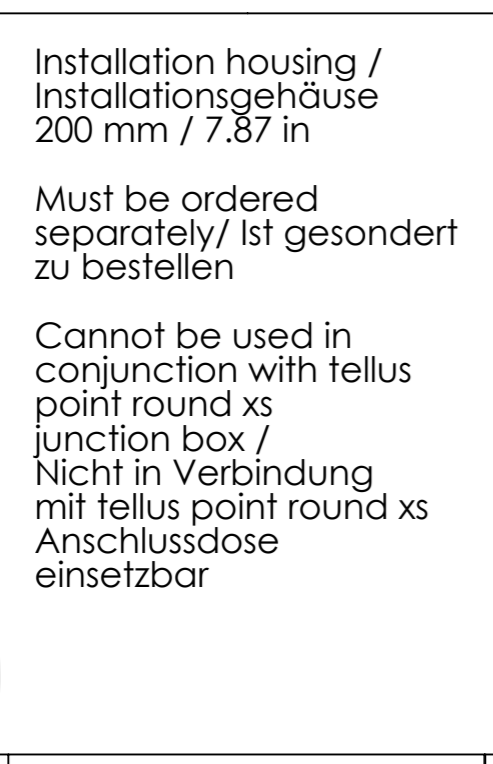


Maßstab / Scale 1:5



Installation housing /
Installationsgehäuse
290 mm / 11.42 in

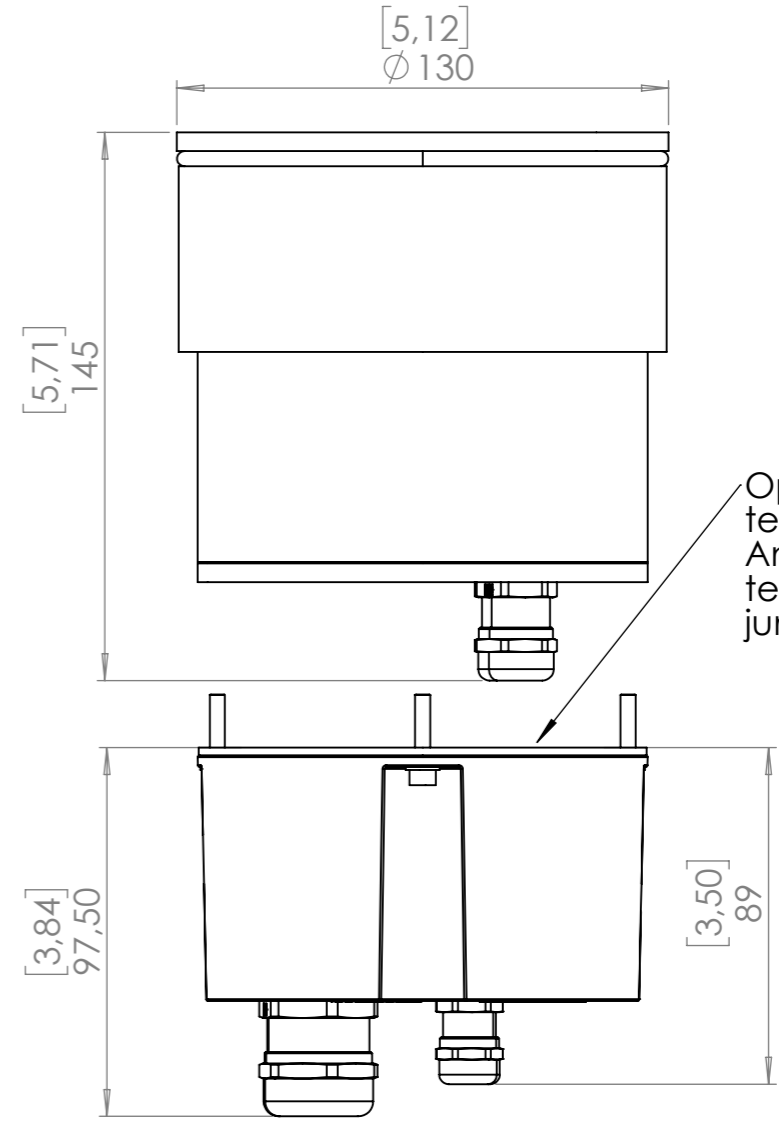
Must be ordered
separately/ Ist gesondert
zu bestellen



Installation housing /
Installationsgehäuse
200 mm / 7.87 in

Must be ordered
separately/ Ist gesondert
zu bestellen

Cannot be used in
conjunction with tellus
point round xs
junction box /
Nicht in Verbindung
mit tellus point round xs
Anschlussdose
einsetzbar



Optional:
tellus point round xs
Anschlussdose /
tellus point round xs
junction box



Lindberghstrasse 15
86343 Königsbrunn

Tel.: +49 8231 95787 0
info@biontechnologies.com
www.biontechnologies.com

Description	tellus point round xs
Date/Revision	07.12.2020/Rev.4
Scale	1:2

Dimensions are in **millimeters [inch]**
All product specifications are subject to change without prior notice.

NOTE: All copyrights, trademarks, patents and other rights in connection herewith are expressly reserved to BION TECHNOLOGIES GMBH and no license is created or granted hereby.